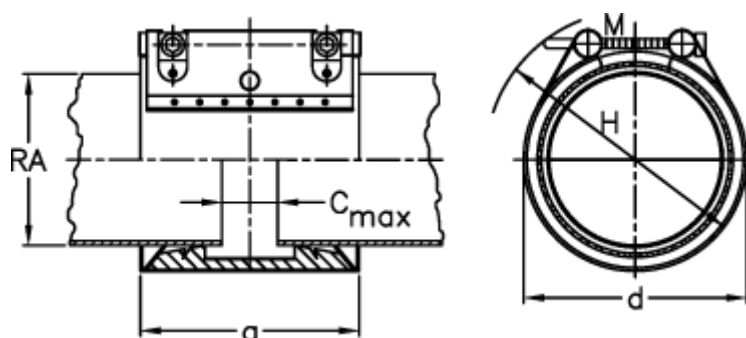


Article number: 025849160076

Description: Norma Connect pipe coupling  
COMBI GRIP GL W2 Ø76,1/75 EPDM 16 bar

## Measures



a	= 98.0	RA min-RA max plastic = 74,0-76,0
C max with insertion band	= 25	Weight a piece = 1.5
d	= 95	
H	= 115	
M (screw)	= M10	
Nominal pressure (bar)	= 16	
RA	= 76,1/75,0	
RA min-RA max metal	= 75,0-76,9	